

INSTRUCTIONS FOR USE

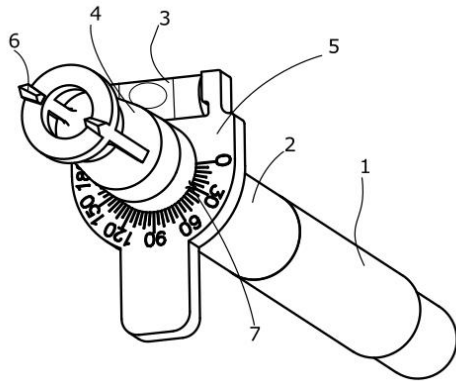
Tor-Mark Ocular Marker

REF

Tor-Mark-10

DESCRIPTION:

The Tor-Mark ocular marking device is designed with an integrated bubble level for assistance in leveling the device. The device consists of a pen body (1) with a pen cap (2), a marking cap (4) with a small alignment notch (7) for angular alignment with markings on the dial (5) containing the integrated bubble level (3).



INDICATIONS FOR USE:

The Tor-Mark is designed to be used for marking the peripheral cornea prior to cataract surgery in which a toric intraocular lens is to be implanted. Product must be disposed of following use.

CONTRAINDICATIONS:

Do not use Tor-Mark with any patient that has sensitivity or allergy to Gentian Violet (crystal violet) dye.

PRECAUTIONS:

Contents supplied STERILE using a gamma irradiation process. Do NOT use if sterile barrier is damaged. If damage is found, contact Conkin Surgical Instruments Ltd. For single use only. Do NOT reuse, reprocess, or re-sterilize.

DO NOT USE IF:

- The device appears cracked, flawed or otherwise damaged.
- Sterile barrier is breached.

PREPARING THE MARKER:

- Remove the pen cap (2) from pen body (1), and paint the blades (6) of the marking cap (4) with the pen felt.
 - Note: When removing the pen cap, the Tor-Mark components (2-7) should remain fixed to the pen cap.
 - Note: Ensure the marking blades are well coated with ink across their entire length, several pen swipes are recommended.
- Replace pen cap and Tor-Mark assembly onto the pen body.
- Align the alignment notch (7) on the marking cap with the desired angular marking on the dial component (5). Alignment is done by rotating the marking cap. Do not contact the marking blades during this alignment.

MARKING THE CORNEA:

- Ensure the patient has been prepared according to standard facility marking procedures, including numbing of the eye.
- With the marking cap secure on the pen body and set to the desired angle as above, grip the Tor-Mark wherever feels comfortable.

- Move the marking features (6) to approximately one inch from the patient's eye, and center the circular face of the marking cap with the center of the cornea.
- Ensuring bubble level (3) position is centered between the two lines on the level, gently press the marking blades onto the patient's eye.

WARNINGS:

- DO NOT use the product if damage has occurred to package prior to use; to do so may jeopardize the sterile field.
- DO NOT use any product which has been damaged; to do so may result in injury to the patient or user.
- These devices have no user re-serviceable parts. DO NOT attempt to repair, alter or reuse these devices.
- These devices are provided sterile by method of gamma irradiation and are intended for Single Use Only. Discard product after use according to hospital or statutory policy.

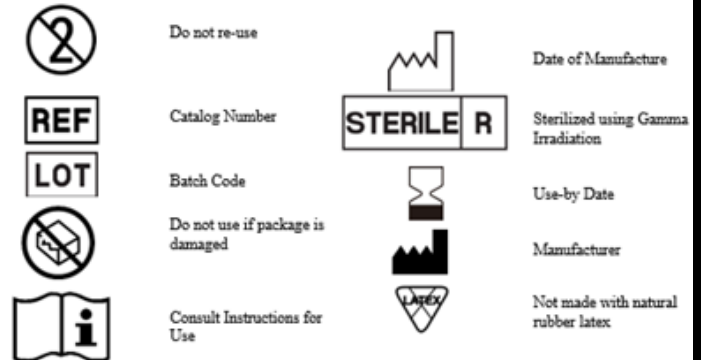
PRECAUTIONS:

- Do not apply excessive pressure when applying the inked mark on the cornea.
- The Tor-Mark is SINGLE USE only. Do NOT attempt to re-sterilize.

STORAGE:

Store Tor-Mark devices in packaging at room temperature.

Explanation of Symbols



Conkin Surgical Instruments Ltd.

126-408 East Kent Avenue South
Vancouver, BC, V5X 2X7

www.conkinsurgical.com

Tel: 604.638.2757

Fax: 604.261.9549

Email: sales@conkinsurgical.com

Order From:

Viscot Medical, LLC

32 West St.

East Hanover, NJ, 07936

www.viscot.com

Tel: 800.221.0658

Email: viscotcs@viscot.com